

Product Fact Sheet

# Lod Pendant



ferm  
L I V I N G

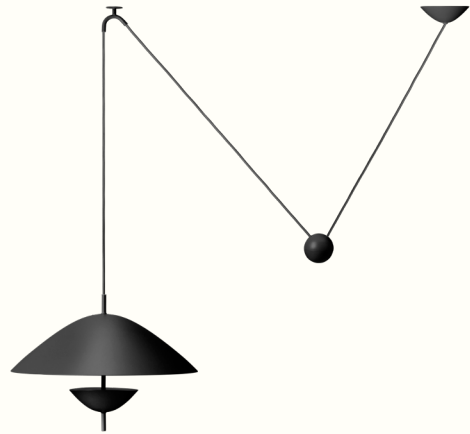


# Lod Pendant

Referencing the Danish word for ‘weight’, the Lod Pendant gracefully captures a playful yet elegant design. With a striking graphic silhouette, the height of the lampshade can be easily adjusted using the counterweight or the shade’s perpendicular rod. Bathing your space in a gentle and luminous glow, the pendant illuminates with a soft radiance, while its reflective surfaces contribute to a soothing atmosphere. The Lod Pendant is completed by a matching ceiling bracket and canopy and is accompanied by a textile cable that enhances its visual allure and adds to its overall graphic charm.



1104268192  
Cashmere



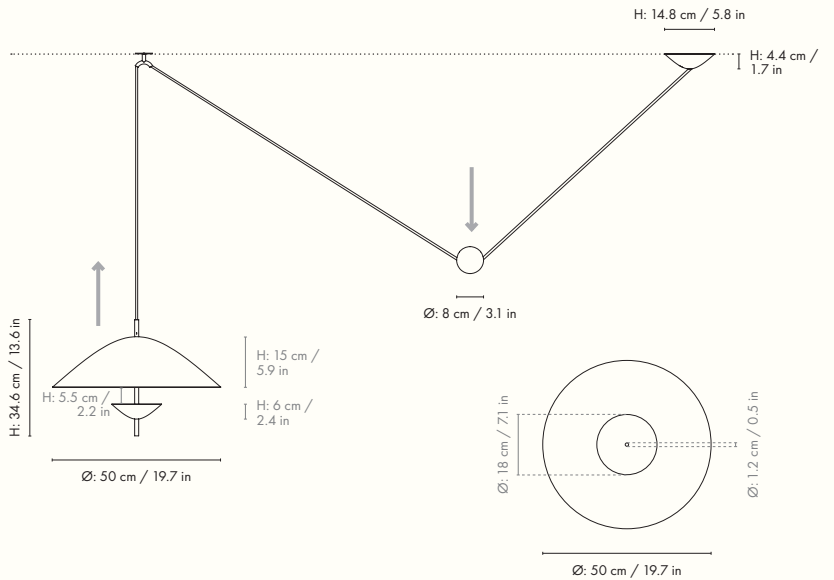
1104268195  
Black

## Information

**Size:** Ø: 50 x H: 34.6 cm / Ø: 19.7 x H: 13.6 in  
**Material:** Cashmere powder coated iron or black wet painted iron. White diffuser. G9 socket.  
 5 metre fabric cord in a matching colour  
**Care:** Wipe with a damp cloth  
**Voltage:** 220-240V - 50Hz  
**Light source:** 3 x G9 max 7W LED. Bulb not included  
**Info:** Registered design  
**Certifications:** CE, CB, UKCA, RoHs. Only approved for EU/NO/CH/UK. Separate version for US  
**Classification:** IP20, Class II  
**Country of origin:** China  
**Net weight:** 4 kg  
**Packsize:** 1



## Measurements



Space to feel comfortably you